

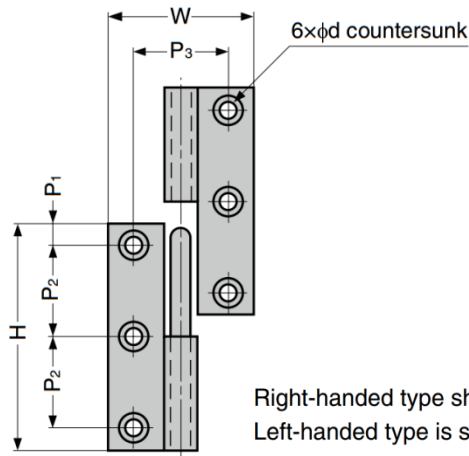
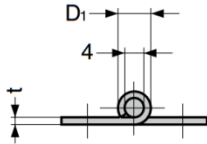
GKN Stainless Steel Lift-Off Hinge

Features

- Handed: specific left and right hand mounting

Material

- Stainless steel 304, polished



Right-handed

Right-handed type shown.
Left-handed type is symmetrical.

Part No.	Type	H	W	P ₁	P ₂	P ₃	D ₁	t	d	Load Capacity (per pair)	
GKN-50CL	Left-handed	50	32	5	20	21	7.5	1.5	3.2	78 N	8 kg
GKN-50CR	Right-handed									108 N	11 kg
GKN-64CL	Left-handed	64	36	6	24	24	8.5	2	3.2	108 N	11 kg
GKN-64CR	Right-handed									167 N	17 kg
GKN-75CL	Left-handed	75	38	7.5	30	24	8.5	2	3.2	167 N	17 kg
GKN-75CR	Right-handed									167 N	17 kg

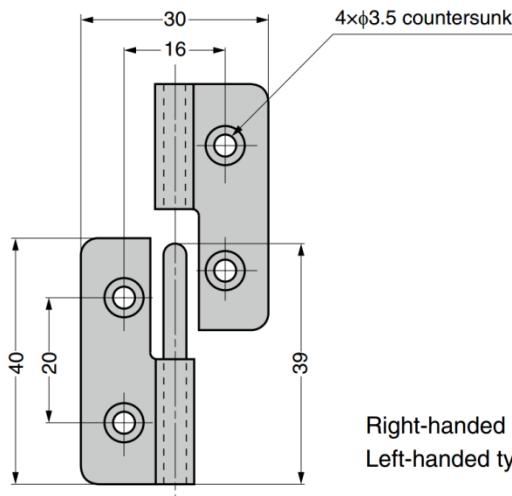
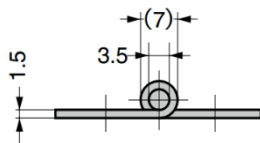
GNH-40 Stainless Steel Lift-Off Hinge

Features

- Handed: specific left and right hand mounting

Material

- Stainless steel 304, polished



GNH-40CL

Right-handed type shown.
Left-handed type is symmetrical.

Part No.	Type	Load Capacity (per pair)	
GNH-40CL	Left-handed	69 N	7 kg
GNH-40CR	Right-handed		